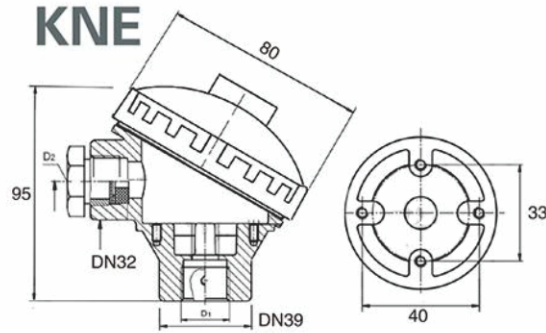




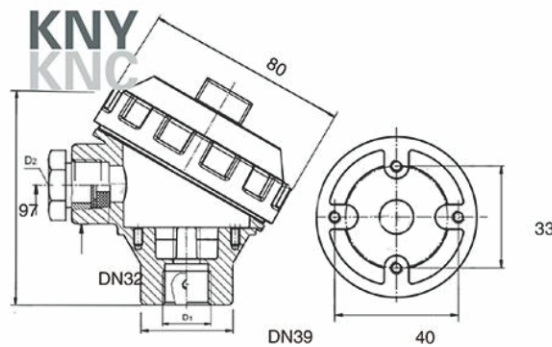
**CATÁLOGO
DE
CABEÇOTES**

CABEÇOTES DE ALUMÍNIO COM PINTURA ELETROSTÁTICA, PARA UTILIZAÇÃO EM TERMOPARES, TERMORESISTÊNCIAS, SENSORES DE NÍVEL E SIMILARES.



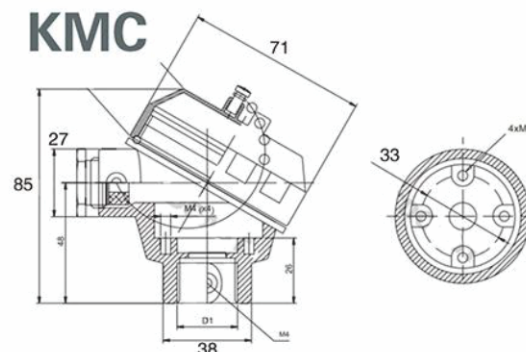
PROBE ENTRY	WIRE ENTRY
G1/2"	M20X1.5
G3/4"	G1/2"
1/2"NPT	G3/4"
3/4"NPT	1/2"NPT
M20X1.5	3/4"NPT
M24X1.5	

Fitting Block 40mm & 33mm



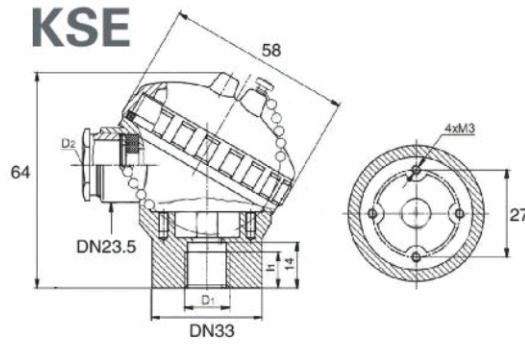
PROBE ENTRY	WIRE ENTRY
G1/2"	M20X1.5
G3/4"	G1/2"
1/2"NPT	G3/4"
3/4"NPT	1/2"NPT
M20X1.5	3/4"NPT
M24X1.5	

密板安装孔距40mm和33mm;
Fitting Block 40mm & 33mm



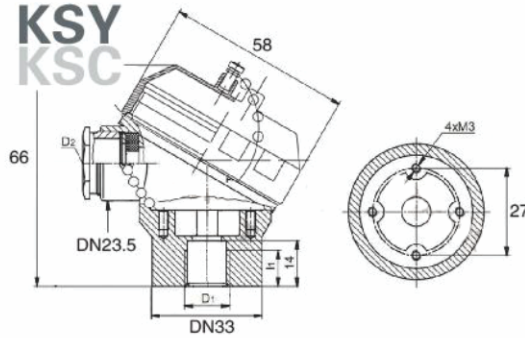
PROBE ENTRY	WIRE ENTRY
G1/2"	G1/2"
M16X1.5	M16X1.5
1/2"NPT	1/2"NPT
M20X1.5	M24X1.5

密板安装孔距33mm;
Fitting Block 33mm



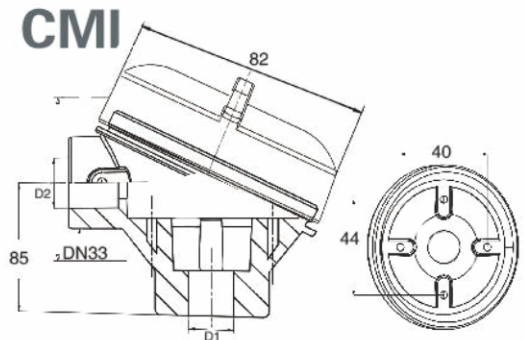
PROBE ENTRY	WIRE ENTRY
1/2"NPT	M16*1.5
G1/2"	G3/8"
G1/4"	
M10*1	

Fitting Block 27mm



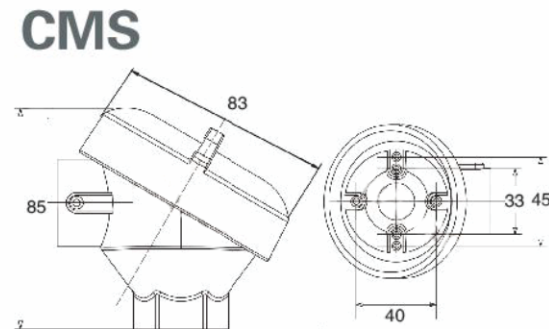
PROBE ENTRY	WIRE ENTRY
1/2"NPT	M16*1.5
G1/2"	G3/8"
G1/4"	
M10*1	

Fitting Block 27mm



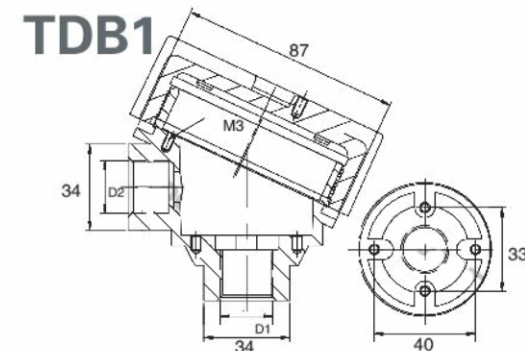
PROBE ENTRY	WIRE ENTRY
1/2"NPT	1/2"NPT
3/4"NPT	3/4"NPT

Fitting Block 40mm , 33mm&45mm



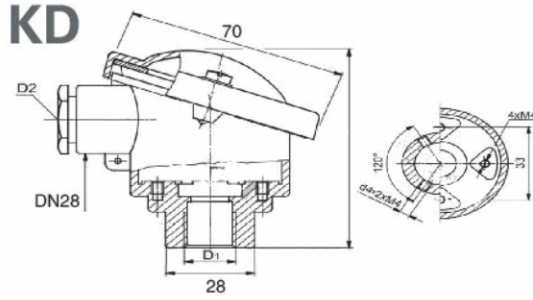
PROBE ENTRY	WIRE ENTRY
1/2"NPT	1/2"NPT
3/4"NPT	3/4"NPT

Fitting Block 40mm , 33mm&45mm



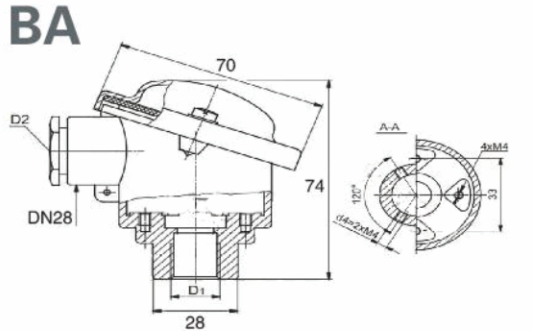
PROBE ENTRY	WIRE ENTRY
G1/2"	M20X1.5
G3/4"	1/2"NPT
1/2"NPT	G3/4"
3/4"NPT	3/4"NPT
M24X1.5	

Fitting Block 40mm & 33mm



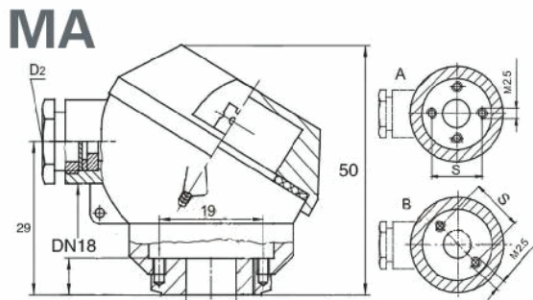
PROBE ENTRY	WIRE ENTRY
G1/2"	M20X1.5
M20X1.5	G1/2"
M24X1.5	
1/2"NPT	
6.1mm	

Fitting Block 33mm



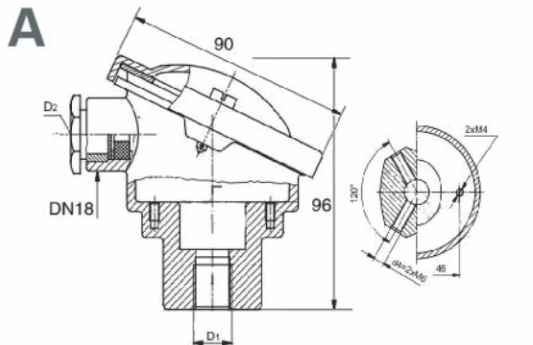
PROBE ENTRY	WIRE ENTRY
G1/2"	M20X1.5
M20X1.5	G1/2"
M24X1.5	
1/2"NPT	
6.1mm	

Fitting Block 33mm



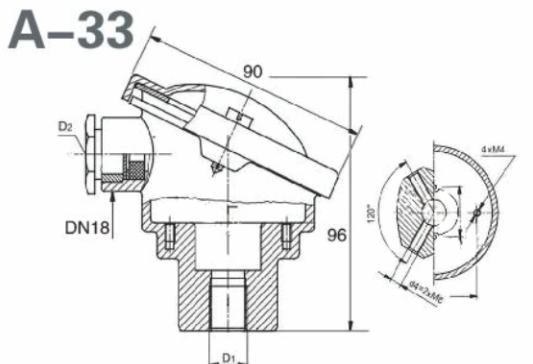
PROBE ENTRY	WIRE ENTRY
M10X1	M16X1.5
M12X1	
G1/4"	
external M20X0.75	

Fitting Block 20mm



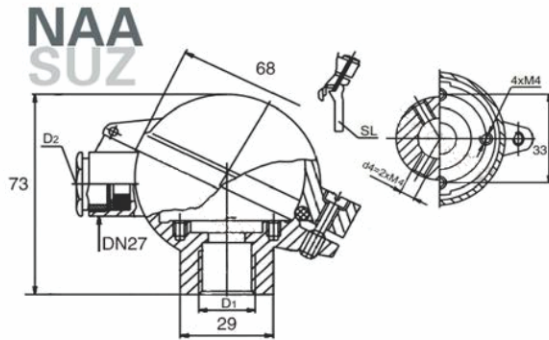
PROBE ENTRY	WIRE ENTRY
1/2"NPT	M20X1.5
G1/2"	G1/2"
21.3mm	
22.5mm	
32.5mm	
M24X1.5	

Fitting Block 46mm



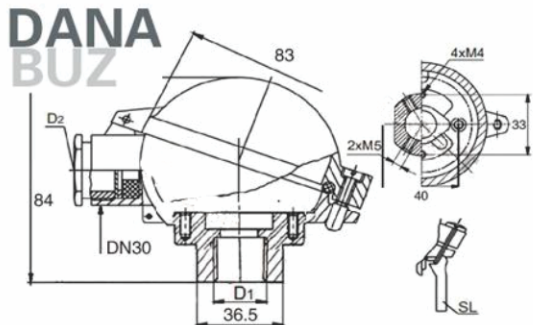
PROBE ENTRY	WIRE ENTRY
1/2"NPT	M20X1.5
G1/2"	G1/2"
21.3mm	
22.5mm	
32.5mm	
M24X1.5	

Fitting Block 33mm&46mm



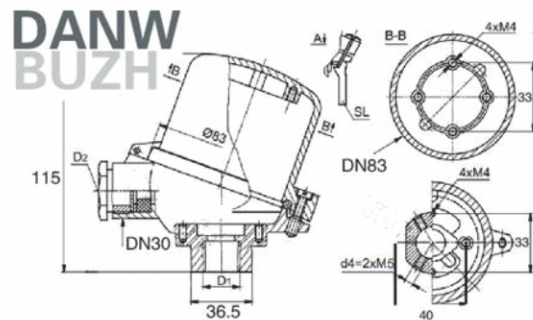
PROBE ENTRY	WIRE ENTRY
G1/2"	M20X1.5
M20X1.5	G1/2"
M24X1.5	
1/2"NPT	
6.1mm	

Fitting Block 33mm



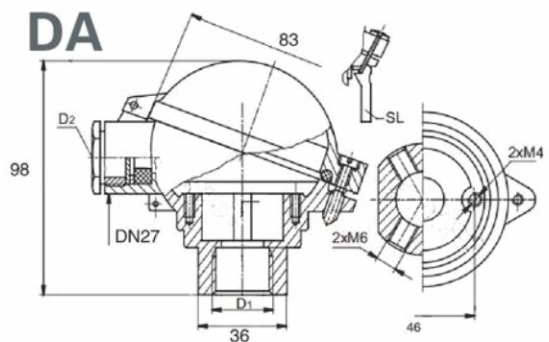
PROBE ENTRY	WIRE ENTRY
G1/2"	M20X1.5
M20X1.5	G1/2"
M24X1.5	
1/2"NPT	

Fitting Block 33mm&40mm



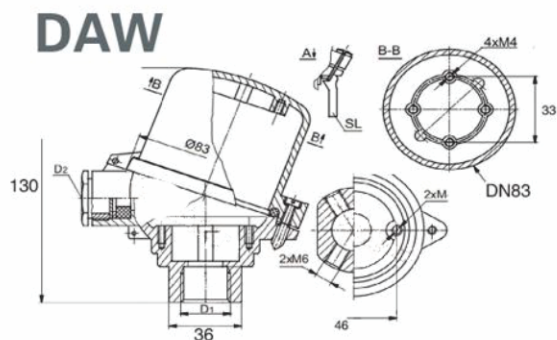
PROBE ENTRY	WIRE ENTRY
G1/2"	M20X1.5
M20X1.5	G1/2"
M24X1.5	
1/2"NPT	

Fitting Block 33mm&40mm



PROBE ENTRY	WIRE ENTRY
1/2"NPT	M20X1.5
G1/2"	G1/2"
21.3mm	
22.5mm	
32.5mm	
M24X1.5	

Fitting Block 46mm



PROBE ENTRY	WIRE ENTRY
1/2"NPT	M20X1.5
G1/2"	G1/2"
21.3mm	
22.5mm	
32.5mm	
M24X1.5	

Fitting Block 46mm



B20-1-4P
Fitting Block 20mm



B20-2-4P
Fitting Block 20mm



B27-1-2P
S-2P-C Fitting Block 27mm



B27-1-3P
S-3P-C Fitting Block 27mm



B27-2-3P
S-3P-CT Fitting Block 27mm



B27-1-4P
S-4P-C Fitting Block 27mm



B40-1-2P
Fitting Block 40mm



B40-2-2P
N-2P-C Fitting Block 40mm



B40-2-3P
N-3P-C Fitting Block 40mm



B40-1-4P
Fitting Block 40mm



B40-2-4P
N-4P-C Fitting Block 40mm



B40-2-6P
N-2P-C Fitting Block 40mm



B33-1-6P
Fitting Block 33mm



B33-R6-6P
D-6P-CT Fitting Block 33mm



B33-R8-8P
D-8P-CL Fitting Block 33mm



B33-7-6P
Fitting Block 33mm



B33D-7-6P
Fitting Block 33mm



B33N-7-6P
Fitting Block 33mm



D-6P-C
Fitting Block 33mm



DN-6P-C
Fitting Block 33mm



DN-6P-B
Fitting Block 33mm



B33-8-4P
D-4P-CS Fitting Block 33mm



A-4P-CS
Fitting Block 46mm



EL-6P-A
Fitting Block 33-45mm

